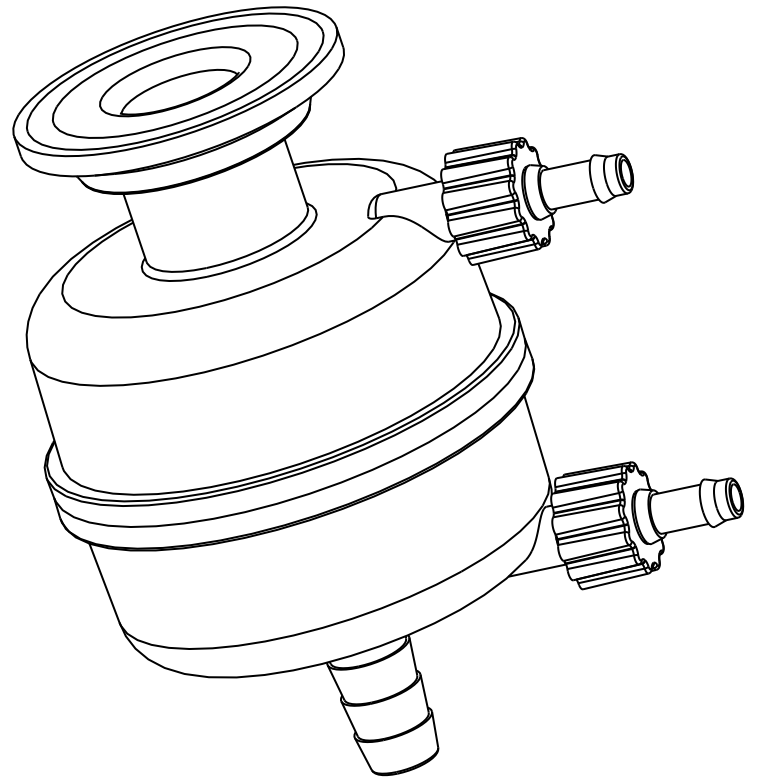
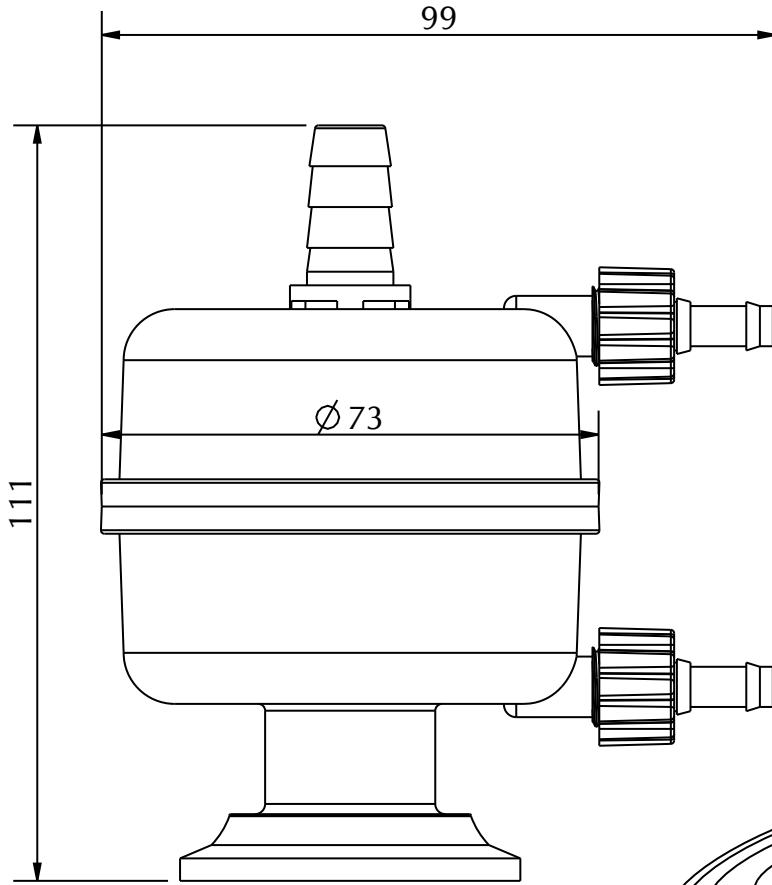


DO NOT SCALE THE DRAWING
ALL DIMENSIONS ARE IN mm.



PART	QUANTITY	REF. No.	DESCRIPTION	MATERIAL	FINISHED SIZE	HARDNESS	REMARKS

Rev.No.	ECN No.	DATE	DESCRIPTION	Rev.No.	ECN No.	DATE	DESCRIPTION

mdi ADVANCED MICRODEVICES(P)LTD. 20,21,Industrial Area,Ambala Cantt.133006.	REV. NO. FORMAT NO. 5	SCALE	PROJ.	DATE	SIGN.	TOLERANCE UNLESS SPECIFIED				
		NONE		Drawn		C	1Dec.PI Â±0.100	2Dec.PI Â±0.050	3Dec.PI Â±0.025	4Dec.PI Â±0.010
		<input checked="" type="checkbox"/> SPC		Designed		T	Â±0.050	Â±0.025	Â±0.010	Â±0.000
		<input type="checkbox"/> Control		Checked		S				
				Approved		Angle	Â±2Â°	Â±2Â°	Â±2Â°	Â±2Â°

TOOL No.	COMP.No.	STORE No.	SHEET 1 OF 1
----------	----------	-----------	--------------